

REV. NO.	REV. DATE	DRAWN BY	CHECKED BY	REVISION
0	15.03.10	EK	MF	-



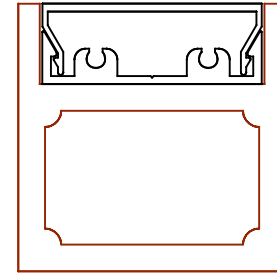
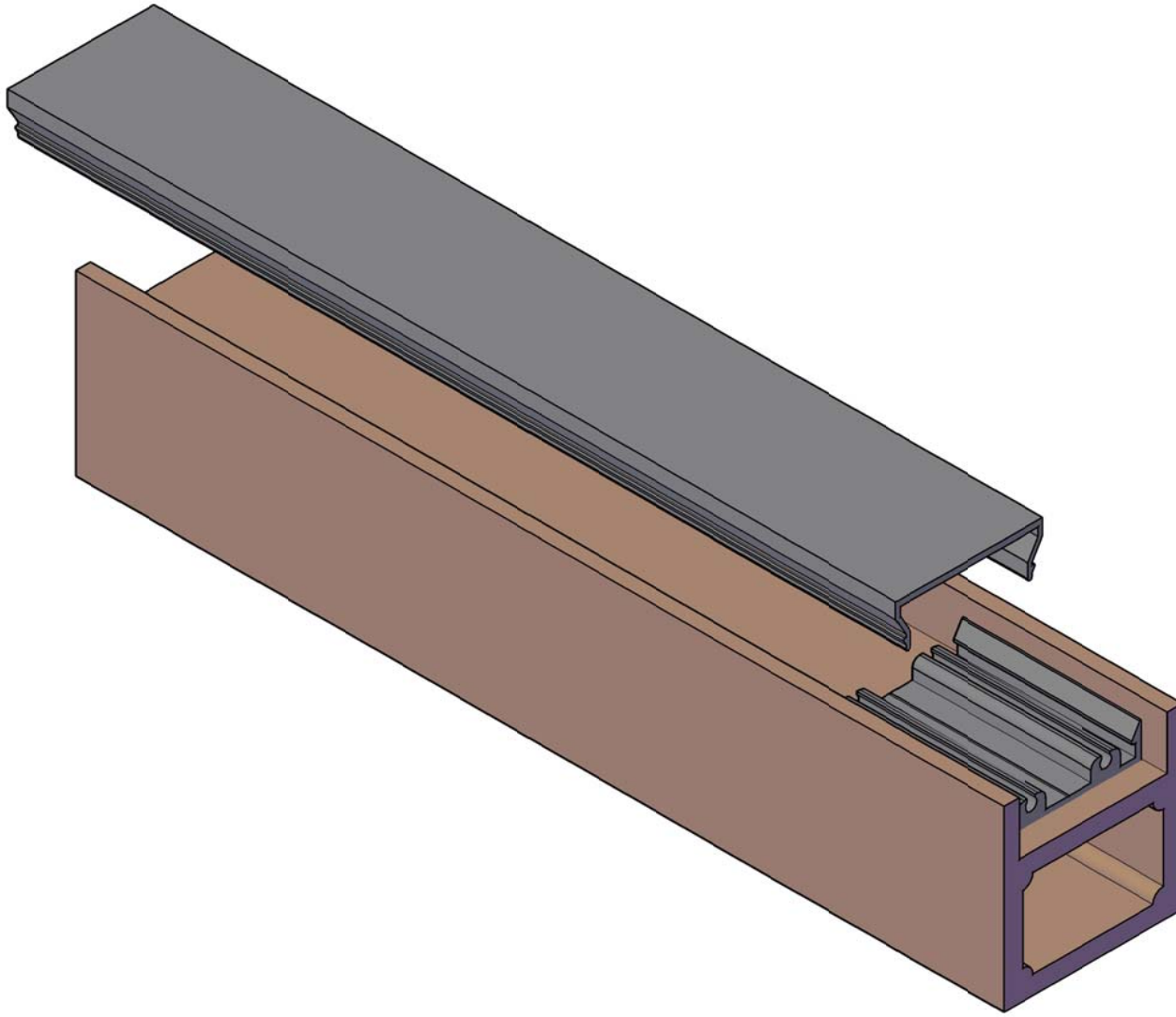
www.innowood.com
 126 O'Connell Street,
 North Parramatta, NSW 2151
 Phone: 02 9630 8388 | Fax: 02 9630 8088 | email: enquiry@innwood.com

DO NOT SCALE	DRAWN	ENVER K
	DATE	15/03/10
	CHECKED	MF
	APPROVED	AW
	© Innwood International Australia Pty. Ltd.	

INNOWOOD AUSTRALIA
 50x50 mm Profile
 Typical Installation Detail

SCALE:	SIZE:	DRAWING NO:	SHEET NO:	REVISION:
1:1	A3	FS05050/F	1 of 1	0

TOLERANCES TO A.S. 1866
UNLESS SHOWN OTHERWISE



REV. NO.	REV. DATE	DRAWN BY	CHECKED BY	REVISION
0	29.03.10	EK	MF	-

INNOWOOD
THE SUSTAINABLE TIMBER ALTERNATIVE
www.innowood.com

126 O'Connell Street,
North Parramatta, NSW 2151
Phone: 02 9630 8388 | Fax: 02 9630 8088 | email: enquiry@innowood.com

DO NOT SCALE	DRAWN	ENVER K	INNOWOOD AUSTRALIA 50x50 Facade Batten Rev03				
	DATE	29/03/10					
	CHECKED	MF					
	APPROVED	JK	SCALE:	SIZE:	DRAWING NO:	SHEET NO:	REVISION:
			1:1	A3	TF0570	1 of 1	0

INFORMATION CONTAINED ON THIS DOCUMENT IS THE COPYRIGHT OF INNOWOOD AUSTRALIA PTY. LTD. USE OR COPYING OF THIS DOCUMENT IN WHOLE OR IN PART WITHOUT THE WRITTEN PERMISSION OF INNOWOOD AUSTRALIA PTY. LTD. IS NOT PERMITTED